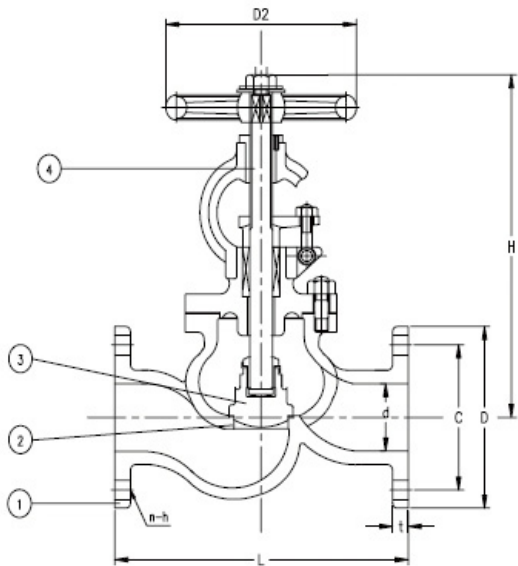




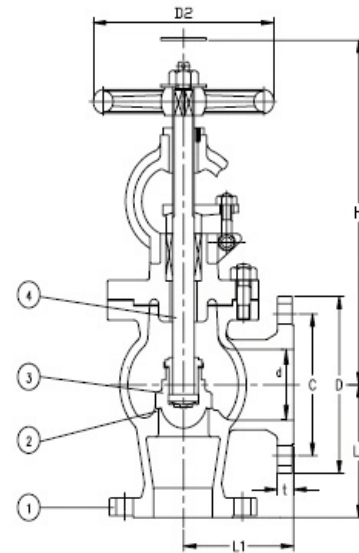
MARINE CAST STEEL 40K GLOBE VALVE - JIS F7317

MARINE CAST STEEL 40K ANGLE VALVE - JIS F7318

Manufactured in accordance to JIS F7400
Flanges as per JIS B2220 - 40K



<JIS F7317>



<JIS F7318>

No.	Component	Material
1	Body	Cast Steel
2	Seat	Stainless Steel
3	Disc	Stainless Steel
4	Stem	Stainless Steel

	Test Pressure MPa [kgf/cm ²]
Body	9.12 [93.0]
Seat	6.69 [68.2]

Size	F7317 - GLOBE									F7318 - ANGLE								
	L	D	C	No.	h	t	H	D2	Kg	L1	D	C	No.	h	t	H	D2	Kg
32A	229	140	105	4	19	24	370	200	25.4	114	140	105	4	19	24	350	200	24.9
40A	241	160	120	4	23	24	395	200	30.2	121	160	120	4	23	24	370	200	29.4
50A	292	165	130	8	19	26	435	224	41.0	146	165	130	8	19	26	405	224	40.0
65A	330	200	160	8	23	30	490	250	62.3	165	200	160	8	23	30	455	250	60.3
80A	365	210	170	8	23	32	540	315	79.0	178	210	170	8	23	32	500	315	76.2
100A	432	250	205	8	25	36	640	400	140	216	250	205	8	25	36	590	400	135
125A	508	300	250	8	27	40	720	450	197	254	300	250	8	27	40	660	450	189
150A	559	355	295	12	33	44	815	500	298	279	355	295	12	33	44	740	500	284